

Multi-Port FXS/FXO VoIP Gateway Router

SmartNode™ 4520 Series



The SmartNode 4520 VoIP Gateway Router combines IP routing, VPN/Security, and Quality of Service for up to 8 transparent voice, fax, and data over any IP or PSTN network. Leverage low-cost packet-voice and IP services for complete branch office voice and data connectivity.

Up to 8 analog ports

Compact, reliable stand-alone VoIP gateway with different port options. Supports simultaneous voice or fax calls on all ports.

Toll-Quality VoIP

Advanced traffic management and shaping, combined with Patton's patent-pending DownStream QoS™ enforce uninterrupted toll-quality voice over best-effort networks.

Advanced Local Call Switching

Virtual interfaces and routing tables provide industry leading flexibility in call handling programming. Local call switching, soft fallback to alternative routes. Simultaneously connects to multiple SIP services/IP PBXs.

Complete SIP and T.38 support

Supports the complete range of industry standard VoIP: SIP, H.323, T.38 fax, fax and modem handling, DTMF relay. Codecs G.729, G.723, and so on.

Easy Management & Provisioning

Web-based management, SNMP, command line interface. Automated mass provisioning for efficient large-scale deployments.

Outstanding Interoperability

Proven integration for voice and T.38 fax with leading IP PBX systems and soft switch vendors.

Connect with confidence using the SmartNode 4520 Series Router. Integrating a complete enterprise router with local PSTN and remote packet-voice, the SN4520 supports eight simultaneous calls for a new standard in toll-bypass, remote/branch office connectivity, and enhanced carrier services.

Perfect for the remote office, branch office, or PBX/switch extension, the SmartNode 4520 integrates all your voice, fax, and LAN traffic for seamless and secure networking. With its FXS analog ports the SN4520 connects to any legacy telephone or PBX and provides dial-tone, ringing, and caller-ID. When equipped with FXO ports, the local PSTN can be accessed enabling local calling and enhanced toll-bypass service.

With dual 10/100 Ethernet ports, the SN4520 provides guaranteed Quality of Service while passing LAN traffic at wire-speed. Voice traffic is prioritized while LAN/IP traffic shaping permits efficient access to the Internet and corporate networks. As a complete enterprise router, the SN4520 supports DHCP, NAT, Firewall/ACL, and PPPoE clients. While optional IPsec VPN and VLAN features tunnel data and AES/3DES ensures secure voice over the public network.

Visit www.patton.com for more information.



Special Rates Available
Call for Details

Proven
Patton design,
Patton supported

EIA-232
console port

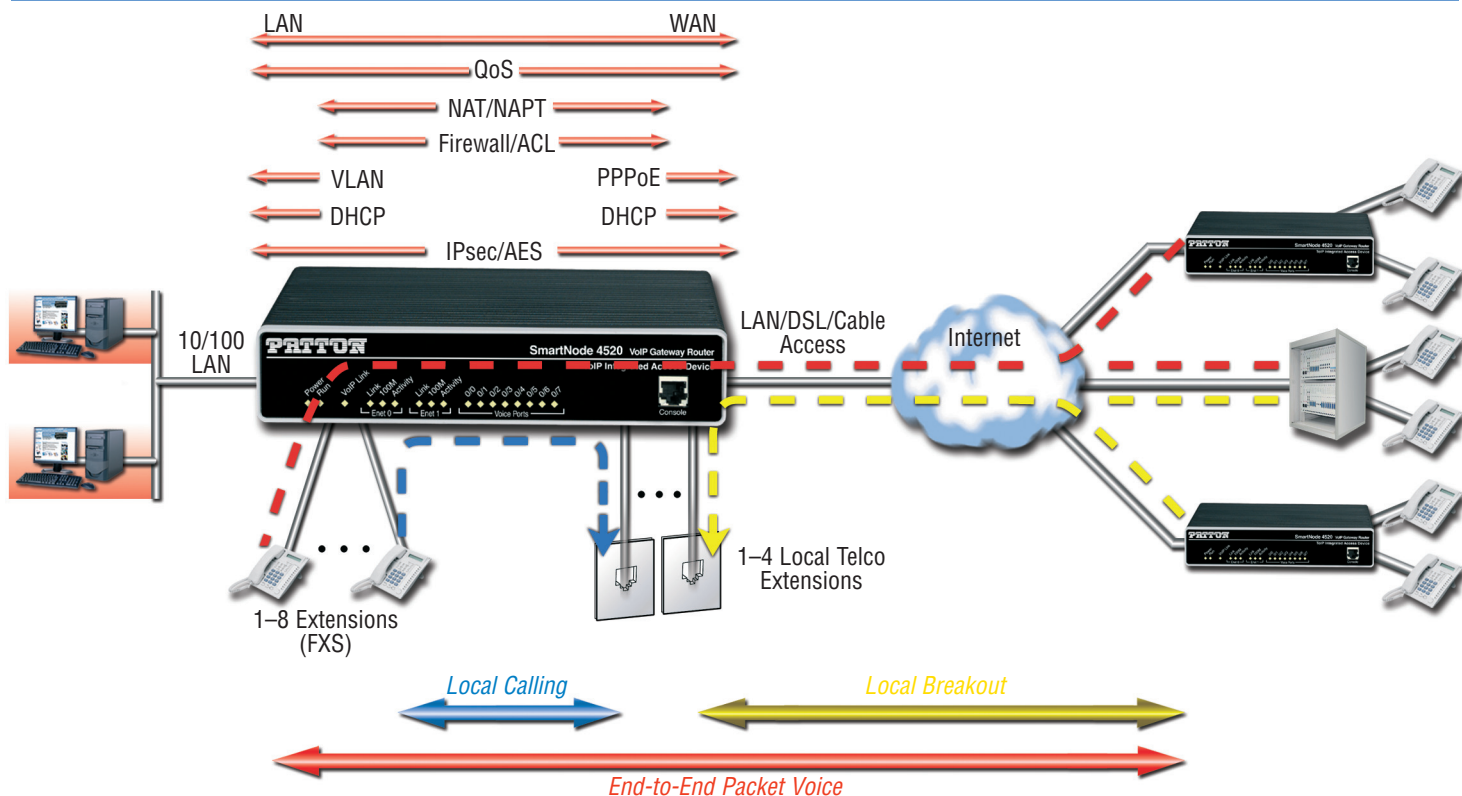


Front panel indicators
show system status
at-a-glance

Dual 10/100
Ethernet ports

Up to eight
analog ports

Remote Office/Branch Office Voice Extension and Access



Specifications*

Capacity

Up to 8 simultaneous VoIP or T.38 fax calls (depending on the model)

Voice Signaling

H.323v4, SIPv2 (B2BUA capable, multi-instance, simultaneous support of multiple registrars and direct IP dialing) • SIP call transfer, redirect • DTMF in-band & out-of-band • All tones programmable (dial, ringing, busy)

Voice Processing

CODEC G.711 a-law/mu-law, G.723, G.729ab, • G.726, G.727. T.38 fax relay (9.6 k, 14.4 k) • G.711 transparent fax and bypass

Call Switching and Services

Virtual interfaces • Regular expression based call routing and number manipu-

lation • Number blocking • Short-dialing • Digit collection, distribution and hunt groups • Transparent line extension • Fallback Routing: Soft fallback to alternative route(s)

FXS Connectivity

2-wire Loopstart on RJ-11/12 • short haul loop 1.1km @3REN • EuroPOTS (ETSI EG201188) • programmable AC impedance, feeding, ring and on-hook voltage • Caller-ID FSK and ITU V.23/Bell 202 generation

FXO Connectivity

2-wire Loopstart on RJ-11/12 • Programmable impedance, ring detection, tone detection, disconnect supervision • Caller ID detection

Data Services

Two 10/100 Ethernet ports • Complete IP access router • DHCP Client & server • Packet fragmentation • Static firewall, NAT, NAPT RFC 1631 access control lists • DMZ port • IPsec, IKE, AES/DES/3DES Encryption (optional, hardware accelerated)

Quality of Service

Voice priority • DownStreamQoS™ • Traffic management, shaping and policing • IEEE 802.1p, TOS, DiffServ labeling • IEEE 802.1Q, VLAN tag insertion/deletion (simultaneous support of multiple VLANs)

Management

Web/HTTP, CLI with local console and remote Telnet access • TFTP configuration & firmware loading • SNMP MIB II

and product MIB • Secure Mass provisioning for both firmware and unit/subscriber configuration • Built-in diagnostic tools (trace, debug, call generator)

System

CPU Motorola MPC875 @ 66MHz • Memory 32MB SDRAM/8MB Flash • Power 100–240 VAC (50/60 Hz) • Power dissipation 4–12W, model dependent

Temperature

32–104°F (0–40°C)

Humidity

Up to 90%, non-condensing

Compliance

EMC compliance: EN55022 and EN55024 • Safety compliance: EN 60950 • CE compliance • FCC Part 15 Class A • TBR21 (FXS) • RoHS

Ordering Information

SN4522/JS/EUI: 2 port FXS VoIP Gateway Router, 100–240 VAC external power supply (PS)

SN4522/JO/EUI: 2 port FXO Gateway Router

SN4524/JS/EUI: 4 port FXS VoIP Gateway Router

SN4522/JO/EUI: 4 port FXO Gateway Router

SN4526/4JS2JO/EUI: 4 port FXS 2 port FXO Gateway Router

SN4526/JS/EUI: 6 port FXS VoIP Gateway Router

SN4528/JS/EUI: 8 port FXS VoIP Gateway Router

SN4524/2JS2JO/EUI: 2 port FXS, 2 Port FXO Gateway Router

SN4528/4JS4JO/EUI: 4 port FXS, 4 Port FXO Gateway Router

Options & Accessories

SNSW-VPN1: License Key for IPsec VPN support (DES, 3DES, AES)

* Specifications subject to change without notice.

PATTON
Let's Connect!

Patton Electronics Co.
7622 Rickenbacker Drive
Gaithersburg, Maryland
20879
USA
Phone +1 301 975 1000
Fax +1 301 869 9293
E-mail sales@patton.com
Web www.patton.com

Patton-Inalp Networks AG
Meriedweg 7
CH-3172 Niederwangen
Switzerland
Phone +41 (31) 985 25 25
Fax +41 (31) 985 25 26
E-mail sales@inalp.com
Web www.inalp.com

Patton Hungary Zrt
Gábor Dénes utca 4.
Infopark Building C
Budapest H-1117
Hungary
Phone +36 1 439 4840
Fax +36 1 439 4844
E-mail ce@patton.com
Web www.patton.com

07MSN4520-DS6

Patton is a registered trademark and the terms SmartNode, DownStreamQoS, and SessionRouter are trademarks of Patton Electronics Company in the United States and other countries.